
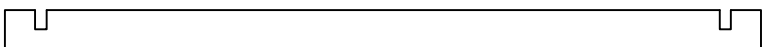

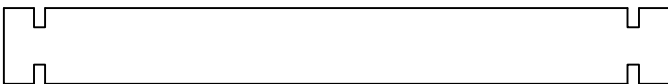
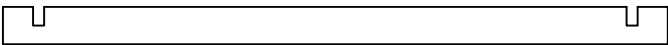

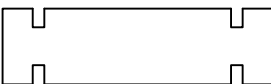
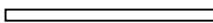

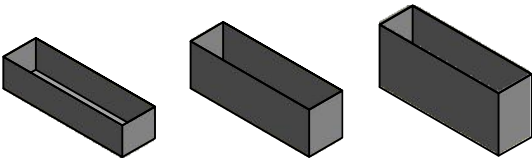



NR	ELEMENT	IMAGE	PCS
A	18 x 120 x 1200		6
B	18 x 60 x 1200		4
C	18 x 90 x 1200		2
D	18 x 120 x 1000		4
E	18 x 60 x 1000		2
F	18 x 120 x 420		2
G	18 x 120 x 720		2
H	10 x 20 x 320		2
J	10 x 20 x 300		4
I	GEOTEXTIL		1
II	SCREWS 4,0 x 25		12

